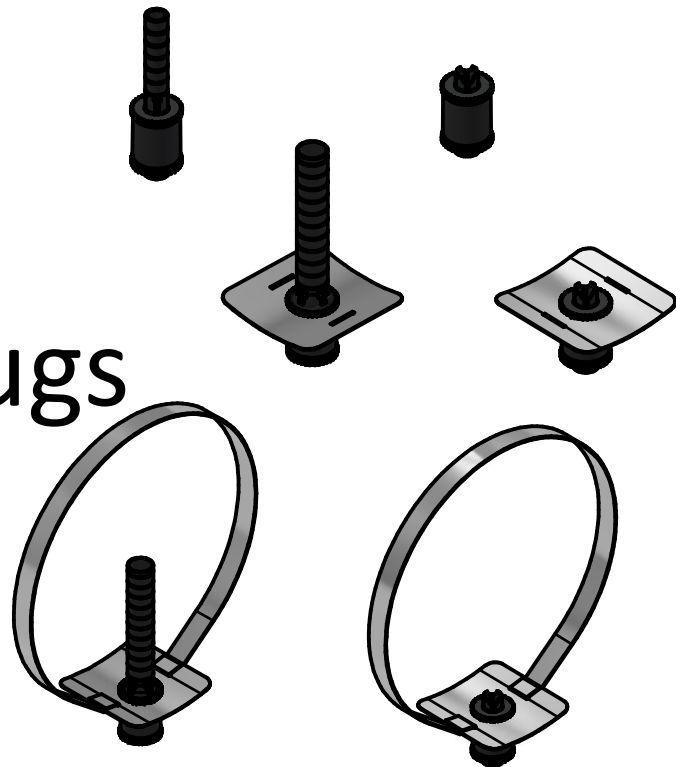
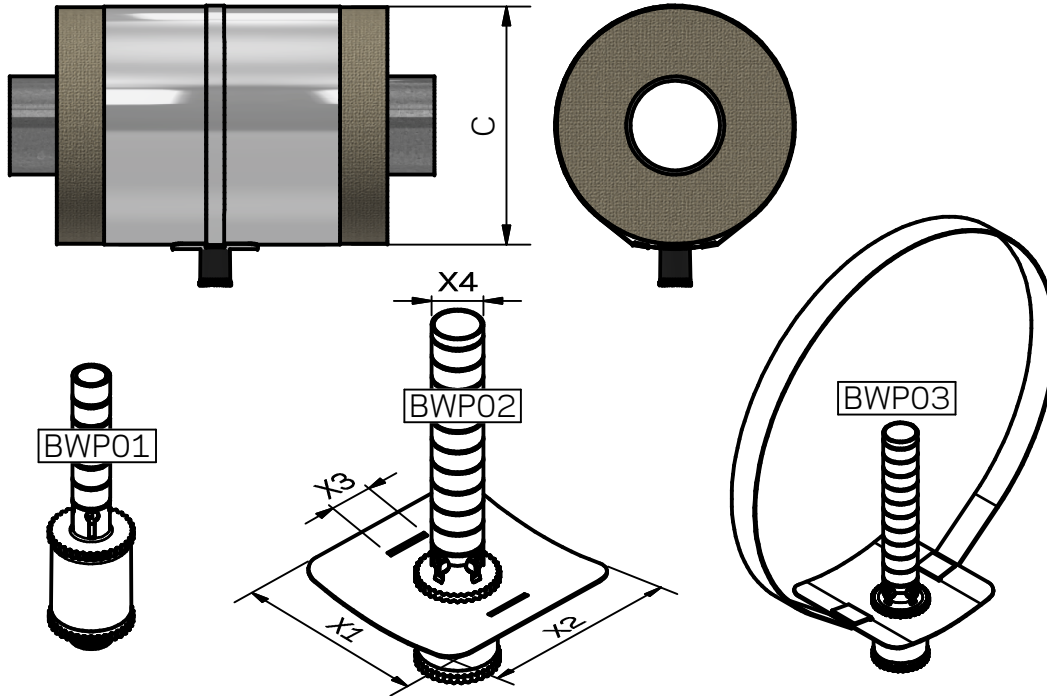


# Catalog Benarx WUI Detection Plugs



Revision Table		
Sheet Number	Fitting Type Group	Revision
1	Main page	-
2	Revision Table	-
3	BWP Benarx WUI Detection Plug- Long	01
4	BWP Benarx WUI Detection Plug- Short	01

# Benarx WUI Detection Plug



REV	DATE	REVISION

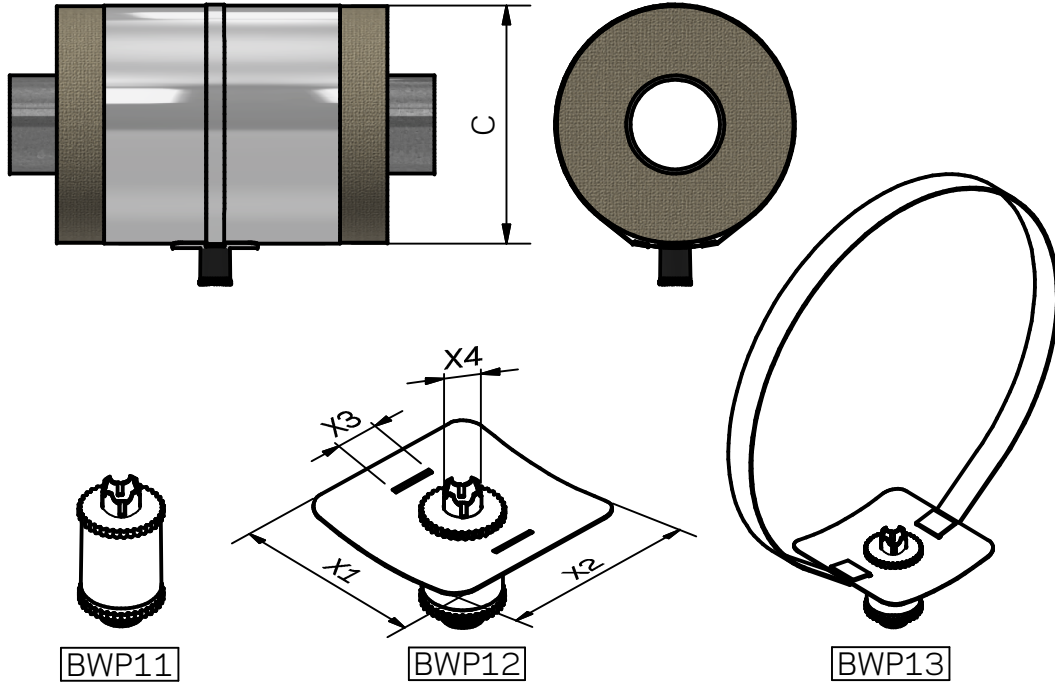
**BEEREN  
BERG**

## BENARX WUI DETECTION PLUGS

This drawing is our property. It is not to be traced, copied or published without our written consent, nor to be misused in any way.

NTS	3 of 4	01
SCALE	SHEET	SHEET REVISION

# Benarx WUI Detection Plug



BWP11

BWP12

BWP13

REV	DATE	REVISION

**BEEREN  
BERG**

## BENARX WUI DETECTION PLUGS

This drawing is our property. It is not to be traced, copied or published without our written consent, nor to be misused in any way.

NTS	4 of 4	01
SCALE	SHEET	SHEET REVISION