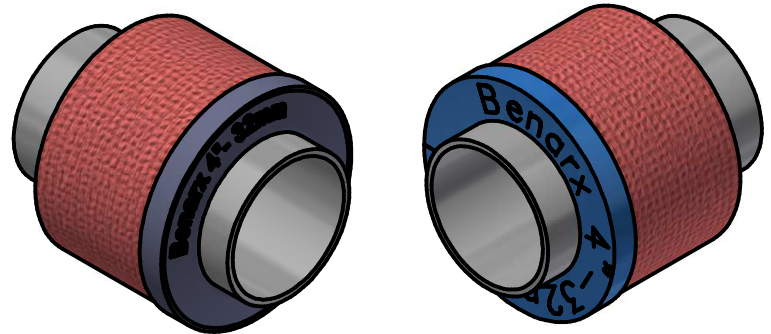


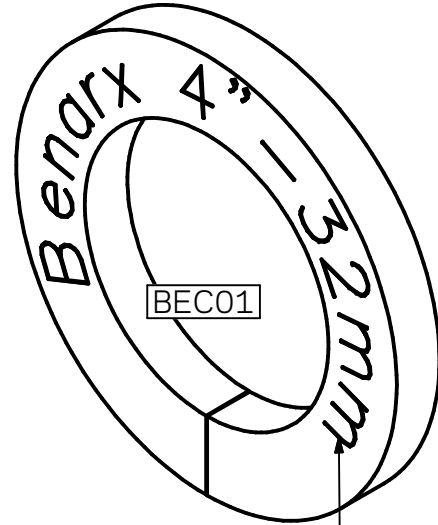
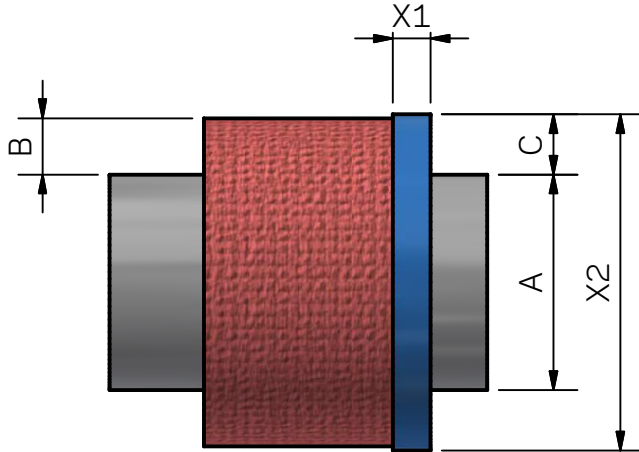
Catalog

Benarx Preformed End Cap Gaskets



Revision Table		
Sheet Number	Fitting Type Group	Revision
1	Main page	-
2	Revision Table	-
3	BEC01 Cut end cap gasket	03
4	BEC02 Molded end cap gasket	03

Cut end cap gasket



MARKING
EXAMPLE

NOTES:

1. X2 - END CAP GASKET OD
2. END CAP GASKET OD SHOULD BE EQUAL/SMALLER THAN CLADDING ID

REV	DATE	REVISION

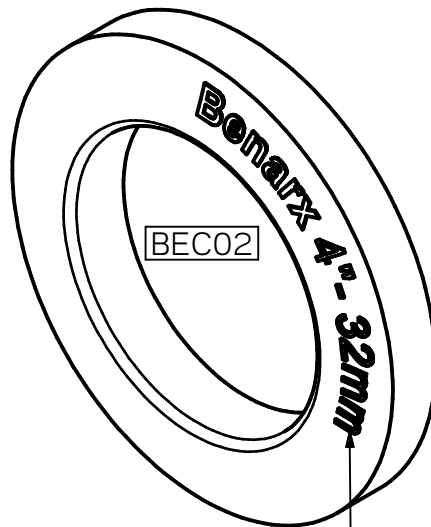
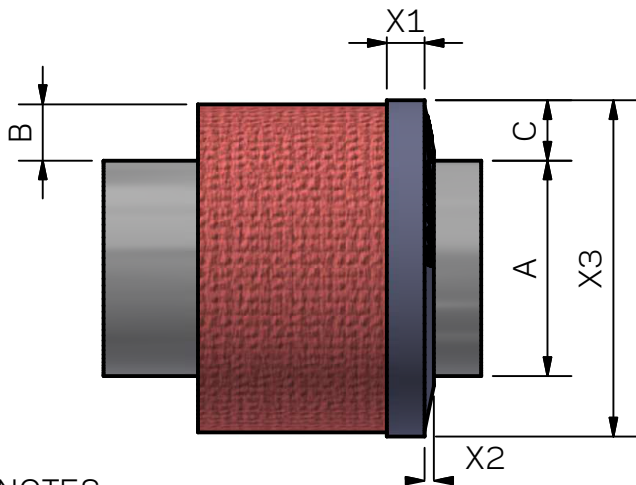
**BEEREN
BERG**

**BENARX PREFORMED
END CAP GASKETS**

This drawing is our property. It is not to be traced, copied or published without our written consent, nor to be misused in any way.

NTS	3 of 4	03
SCALE	SHEET	SHEET REVISION

Molded end cap gasket



MARKING
EXAMPLE

NOTES:

1. X3 - END CAP GASKET OD
2. END CAP GASKET OD SHOULD BE EQUAL/SMALLER THAN CLADDING ID

REV	DATE	REVISION

**BEEREN
BERG**

**BENARX PREFORMED
END CAP GASKETS**

This drawing is our property. It is not to be traced, copied or published without our written consent, nor to be misused in any way.

NTS	4 of 4	03
SCALE	SHEET	SHEET REVISION