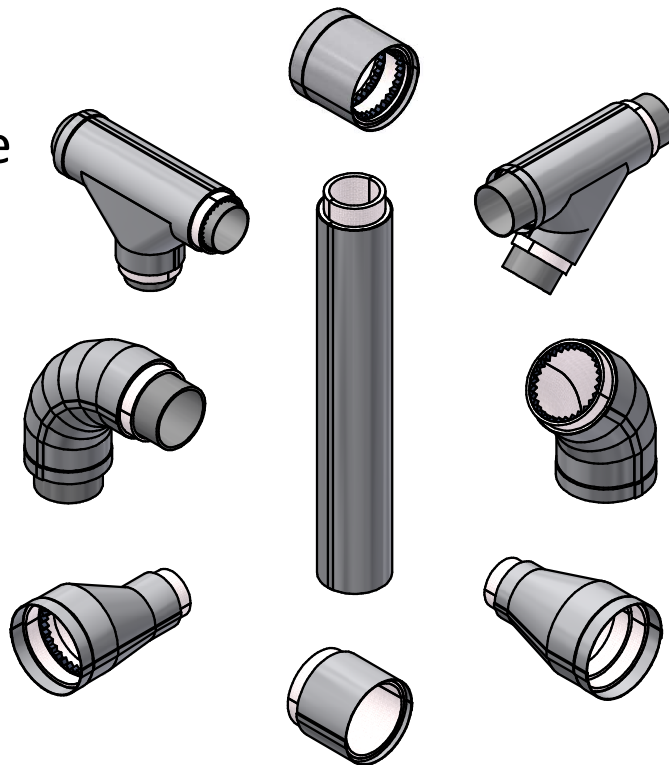
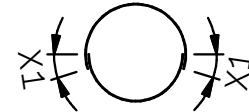


Catalog Benarx All In One

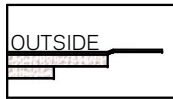


Revision Table		
Sheet Number	Fitting Type Group	Revision
1	Main page	-
2	Revision Table	-
3	Straigth	01
4	Elbow 90	01
5	Elbow 90 Knee bend	01
6	Elbow 45	01
7	Knee bend 45	01
8	T-piece 90 American	01
9	T-piece 45	01
10	Reducer centric	01
11	Reducer eccentric	02
12	Ends	01
13	Starters	02
14	Straigth with rubber distance band	01
15	Elbow 90 with rubber distance band	01
16	Elbow 90 Knee bend with rubber distance band	01
17	Elbow 45 with rubber distance band	01
18	Knee bend 45 with rubber distance band	01
19	T-piece 90 American with rubber distance band	01
20	T-piece 45 with rubber distance band	01
21	Reducer centric with rubber distance band	01
22	Reducer eccentric with rubber distance band	01
23	Ends with rubber distance band	01
24	Starters with rubber distance band	02

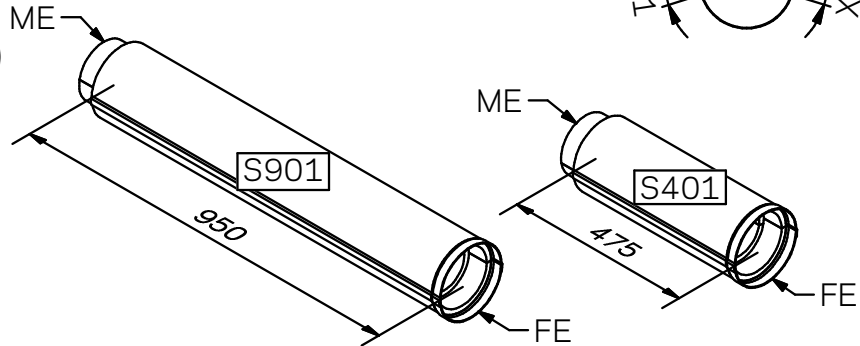
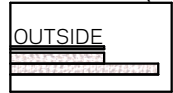
Straight



FEMALE END (FE)



MALE END (ME)



X2 - CLADDING OUTER DIAMETER

REV	DATE	REVISION

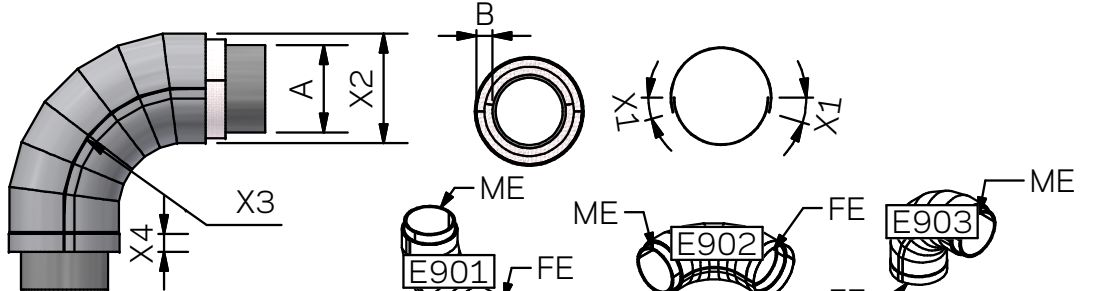
**BEEREN
BERG**

BENARX ALL IN ONE

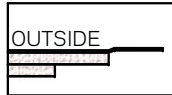
This drawing is our property. It is not to be traced, copied or published without our written consent, nor to be misused in any way.

NTS	3 of 24	01
SCALE	SHEET	SHEET REVISION

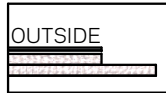
Elbow 90° Long Radius



FEMALE END (FE)



MALE END (ME)



X2 - CLADDING OUTER DIAMETER

REV	DATE	REVISION

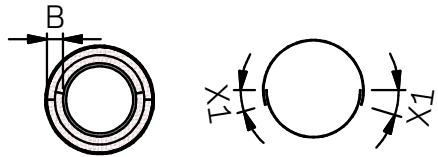
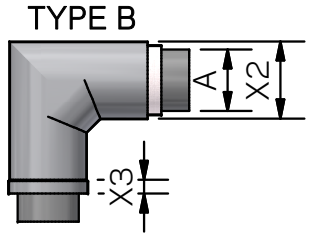
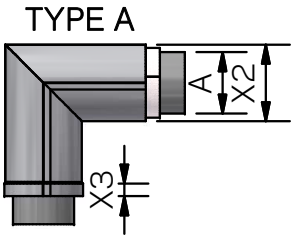
**BEEREN
BERG**

BENARX ALL IN ONE

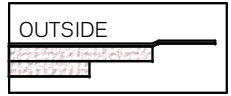
This drawing is our property. It is not to be traced, copied or published without our written consent, nor to be misused in any way.

NTS	4 of 24	01
SCALE	SHEET	SHEET REVISION

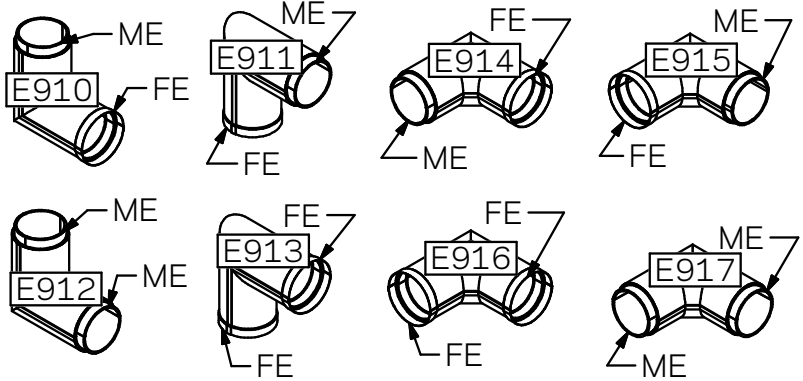
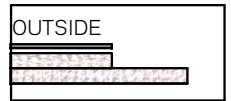
Elbow 90° Knee bend



FEMALE END (FE)



MALE END (ME)



X2 - CLADDING OUTER DIAMETER

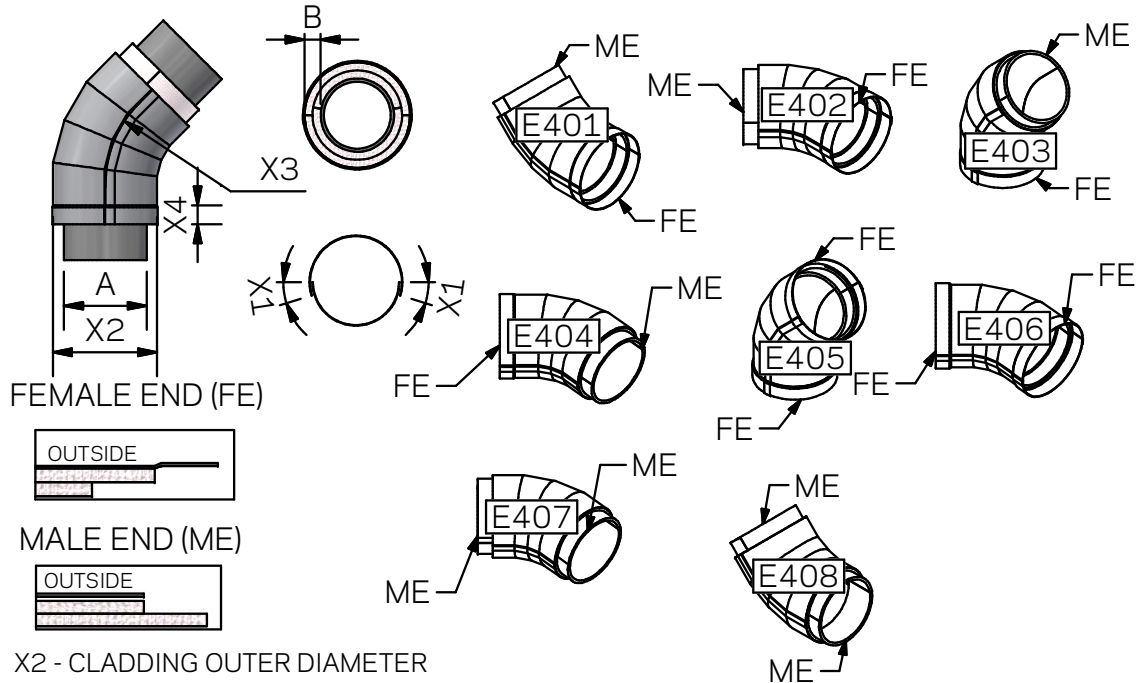
REV	DATE	REVISION



BENARX ALL IN ONE

This drawing is our property. It is not to be traced, copied or published without our written consent, nor to be misused in any way.	NTS	5 of 24	01
	SCALE	SHEET	SHEET REVISION

Elbow 45° Long Radius



REV	DATE	REVISION

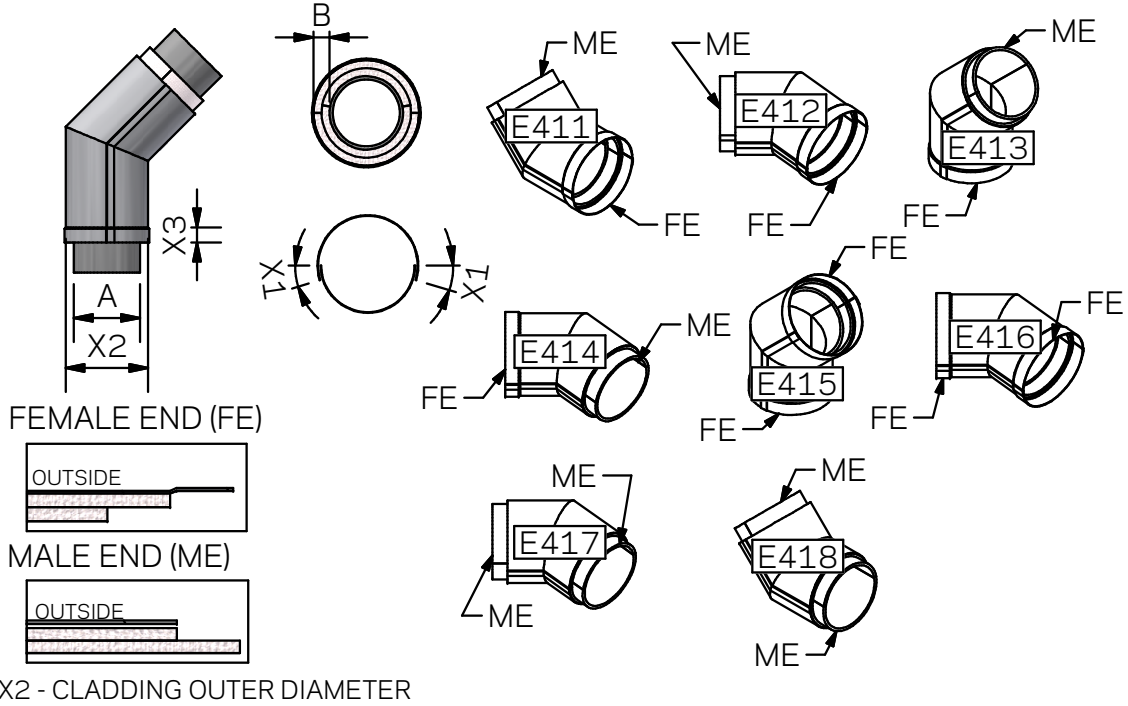
**BEEREN
BERG**

BENARX ALL IN ONE

This drawing is our property. It is not to be traced, copied or published without our written consent, nor to be misused in any way.

NTS	6 of 24	01
SCALE	SHEET	SHEET REVISION

Elbow 45° Knee bend



REV	DATE	REVISION

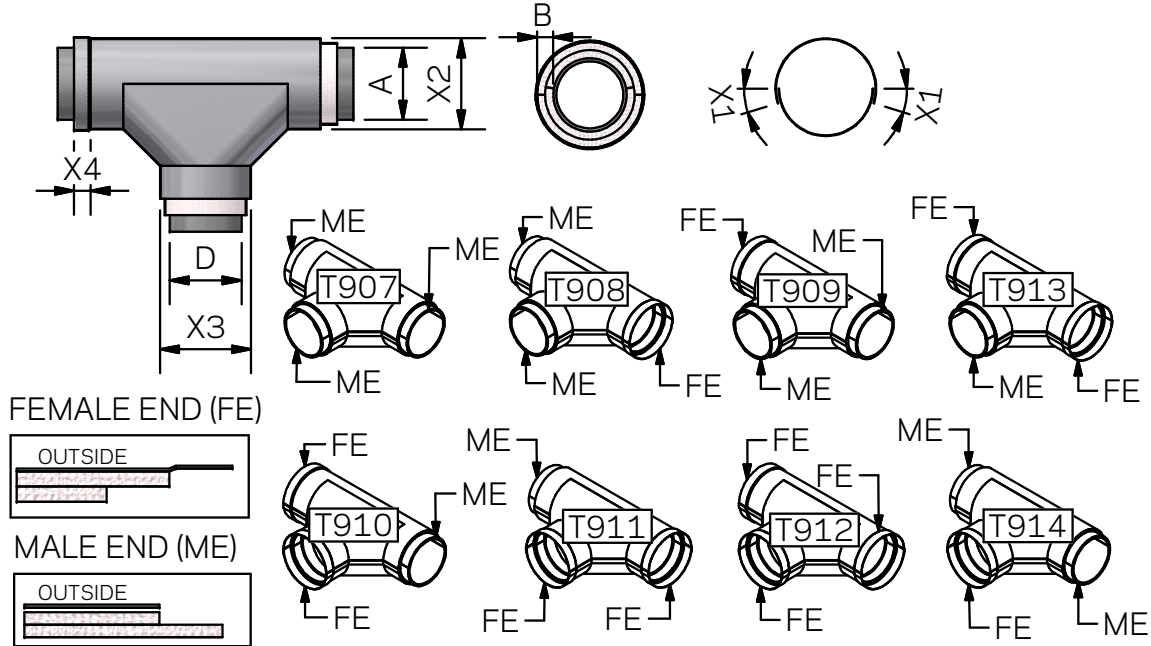


BENARX ALL IN ONE

This drawing is our property. It is not to be traced, copied or published without our written consent, nor to be misused in any way.

NTS	7 of 24	01
SCALE	SHEET	SHEET REVISION

T-piece 90° American



X2, X3- CLADDING OUTER DIAMETER

REV	DATE	REVISION

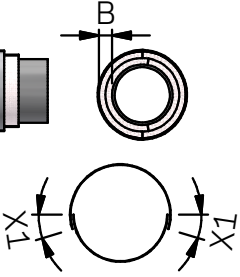
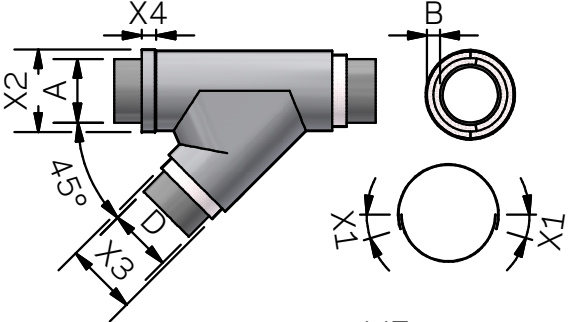
**BEEREN
BERG**

BENARX ALL IN ONE

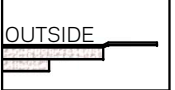
This drawing is our property. It is not to be traced, copied or published without our written consent, nor to be misused in any way.

NTS	8 of 24	01
SCALE	SHEET	SHEET REVISION

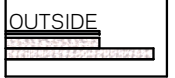
T-piece 45°



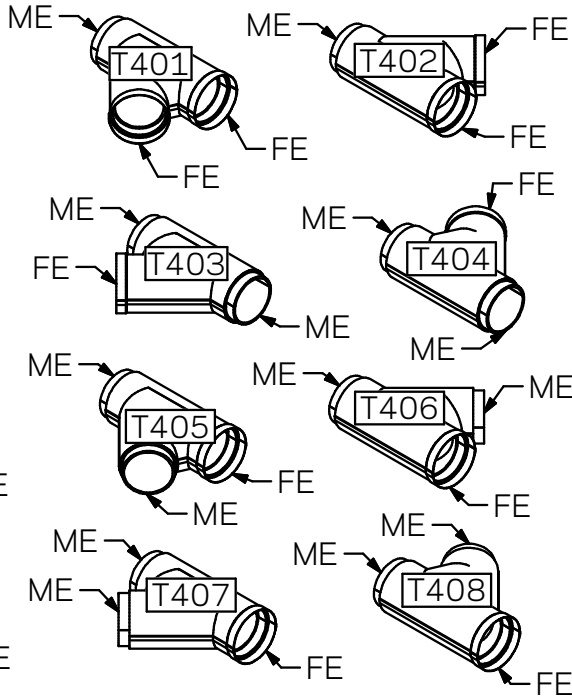
FEMALE END (FE)



MALE END (ME)



X2, X3 - CLADDING OUTER DIAMETER



REV	DATE	REVISION

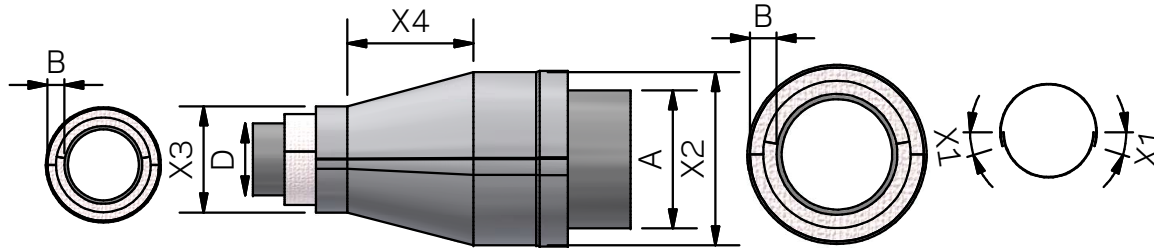


BENARX ALL IN ONE

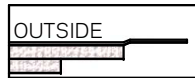
This drawing is our property. It is not to be traced, copied or published without our written consent, nor to be misused in any way.

NTS	9 of 24	01
SCALE	SHEET	SHEET REVISION

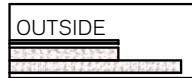
Reducer centric



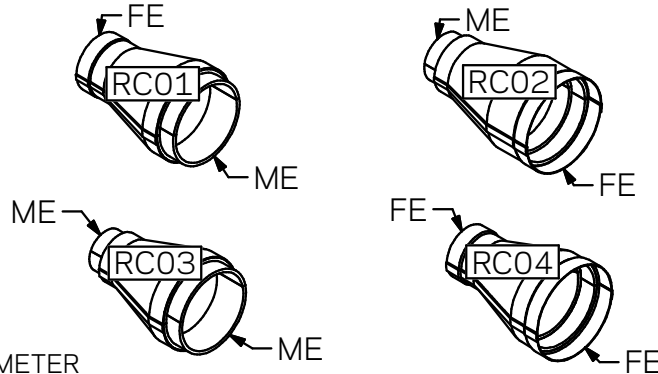
FEMALE END (FE)



MALE END (ME)



X2, X3- CLADDING OUTER DIAMETER



REV	DATE	REVISION

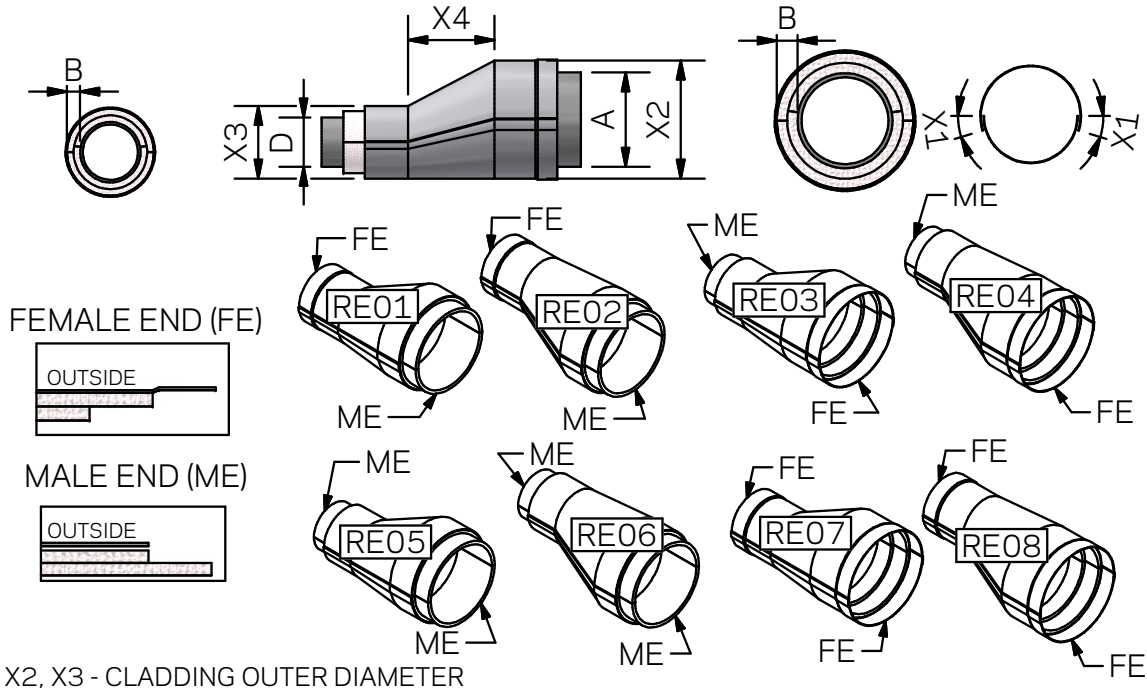
**BEEREN
BERG**

BENARX ALL IN ONE

This drawing is our property.
It is not to be traced, copied
or published without our
written consent, nor to be
misused in any way.

NTS	10 of 24	01
SCALE	SHEET	SHEET REVISION

Reducer eccentric



REV	DATE	REVISION

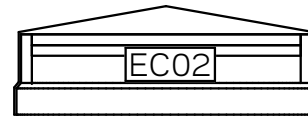
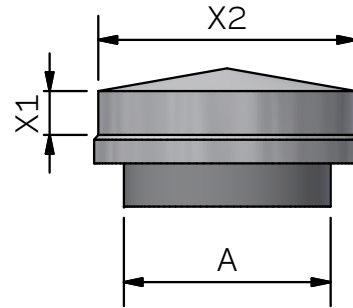
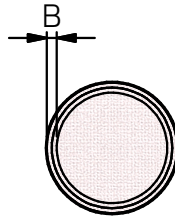
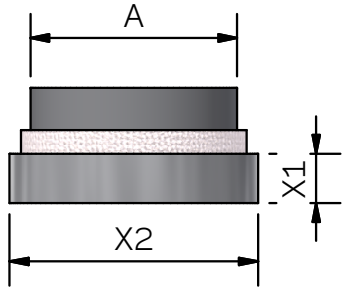
**BEEREN
BERG**

BENARX ALL IN ONE

This drawing is our property. It is not to be traced, copied or published without our written consent, nor to be misused in any way.

NTS	11 of 24	02
SCALE	SHEET	SHEET REVISION

Ends



X2 - CLADDING OUTER DIAMETER

REV	DATE	REVISION

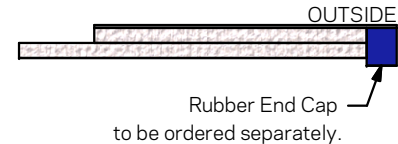
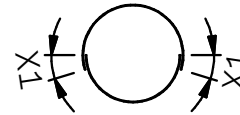
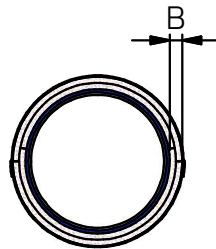
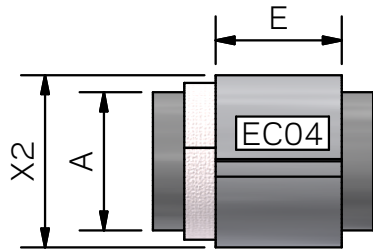
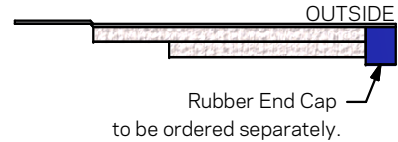
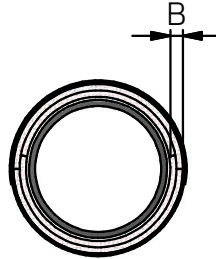
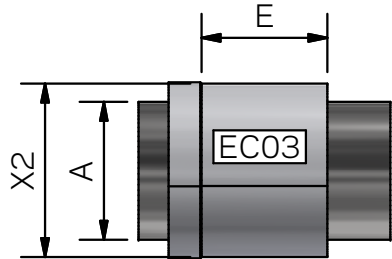
**BEEREN
BERG**

BENARX ALL IN ONE

This drawing is our property. It is not to be traced, copied or published without our written consent, nor to be misused in any way.

NTS	12 of 24	01
SCALE	SHEET	SHEET REVISION

Starters



X2 - CLADDING OUTER DIAMETER

REV	DATE	REVISION

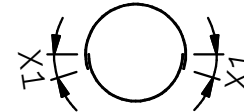
**BEEREN
BERG**

BENARX ALL IN ONE

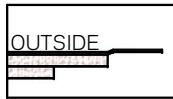
This drawing is our property. It is not to be traced, copied or published without our written consent, nor to be misused in any way.

NTS	13 of 24	02
SCALE	SHEET	SHEET REVISION

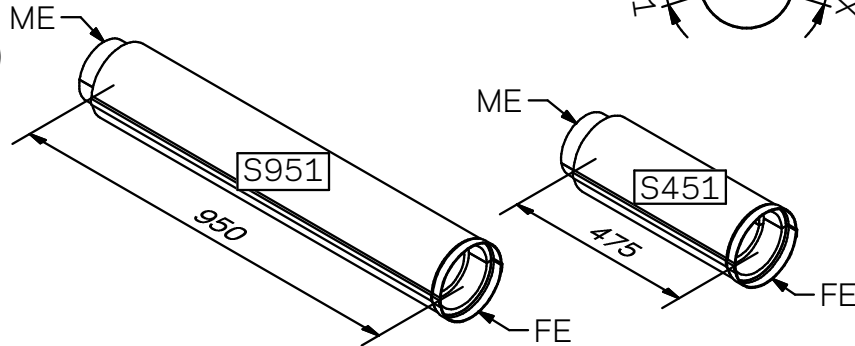
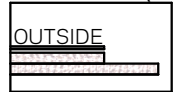
Straight with rubber distance band



FEMALE END (FE)



MALE END (ME)



X2 - CLADDING OUTER DIAMETER

REV	DATE	REVISION

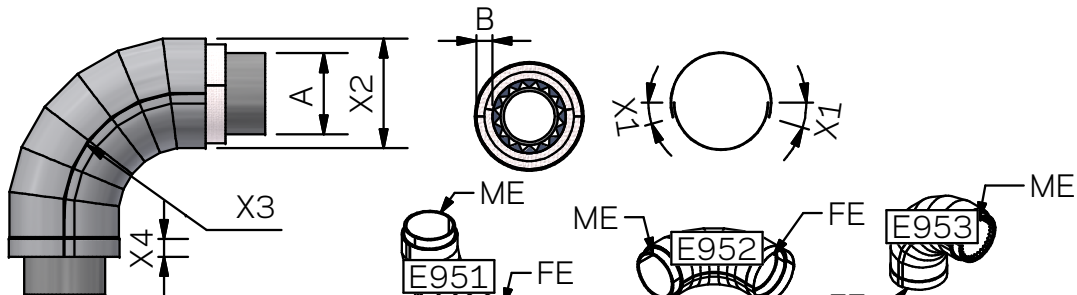
**BEEREN
BERG**

BENARX ALL IN ONE

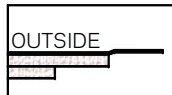
This drawing is our property. It is not to be traced, copied or published without our written consent, nor to be misused in any way.

NTS	14 of 24	01
SCALE	SHEET	SHEET REVISION

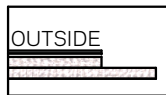
Elbow 90° Long Radius with rubber distance band



FEMALE END (FE)



MALE END (ME)



X2 - CLADDING OUTER DIAMETER

REV	DATE	REVISION

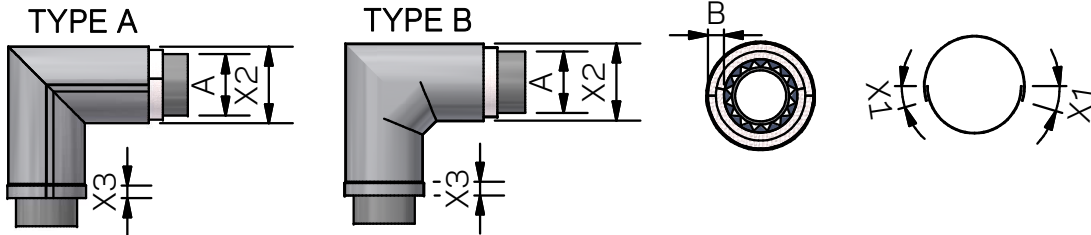
**BEEREN
BERG**

BENARX ALL IN ONE

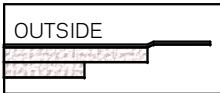
This drawing is our property. It is not to be traced, copied or published without our written consent, nor to be misused in any way.

NTS	15 of 24	01
SCALE	SHEET	SHEET REVISION

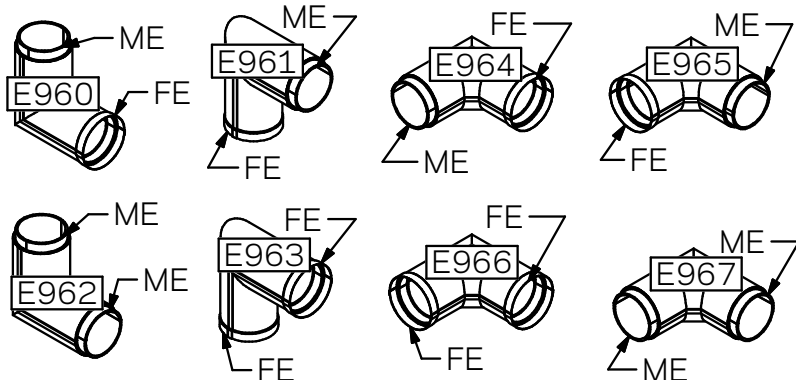
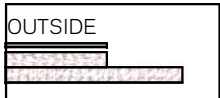
Elbow 90° Knee bend with rubber distance band



FEMALE END (FE)



MALE END (ME)



X2 - CLADDING OUTER DIAMETER

REV	DATE	REVISION

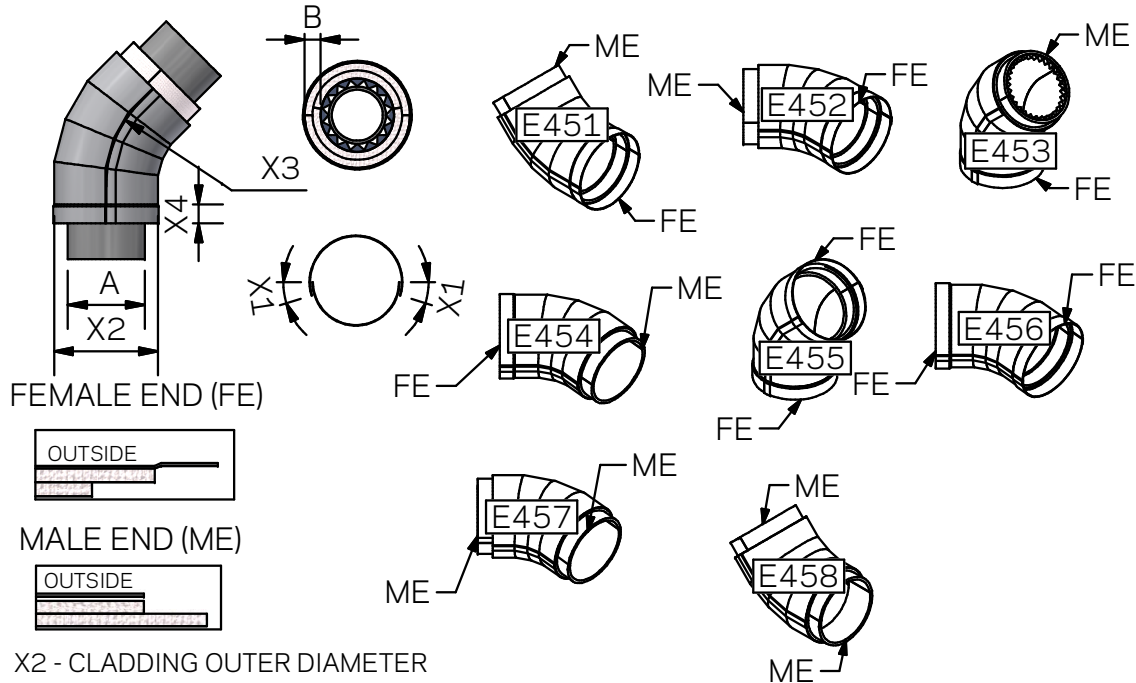
**BEEREN
BERG**

BENARX ALL IN ONE

This drawing is our property. It is not to be traced, copied or published without our written consent, nor to be misused in any way.

NTS	16 of 24	01
SCALE	SHEET	SHEET REVISION

Elbow 45° Long Radius with rubber distance band



REV	DATE	REVISION

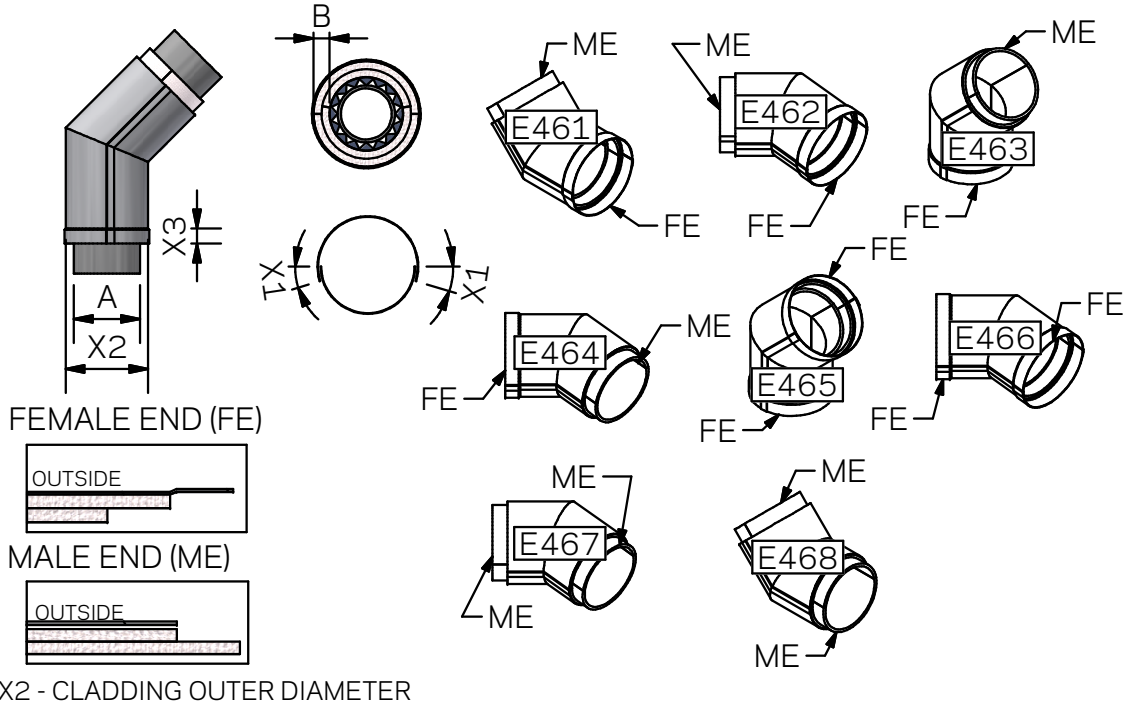
**BEEREN
BERG**

BENARX ALL IN ONE

This drawing is our property. It is not to be traced, copied or published without our written consent, nor to be misused in any way.

NTS	17 of 24	01
SCALE	SHEET	SHEET REVISION

Elbow 45° Knee bend with rubber distance band



REV	DATE	REVISION

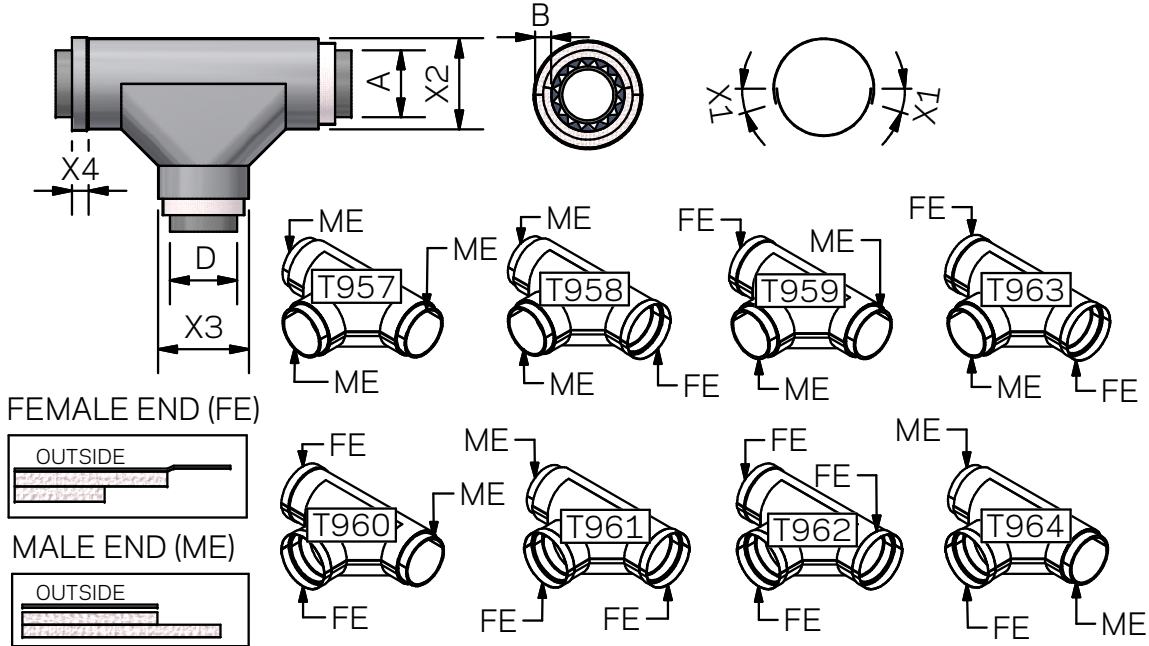
**BEEREN
BERG**

BENARX ALL IN ONE

This drawing is our property. It is not to be traced, copied or published without our written consent, nor to be misused in any way.

NTS	18 of 24	01
SCALE	SHEET	SHEET REVISION

T-piece 90° American with rubber distance band



X2, X3- CLADDING OUTER DIAMETER

REV	DATE	REVISION

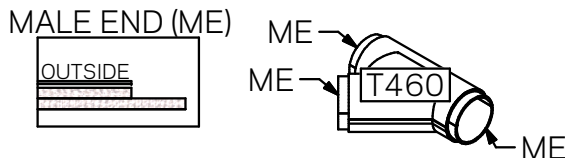
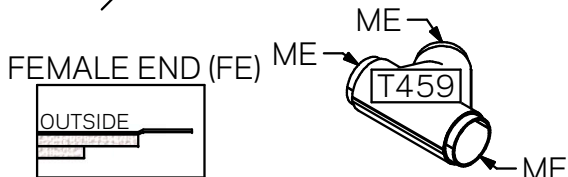
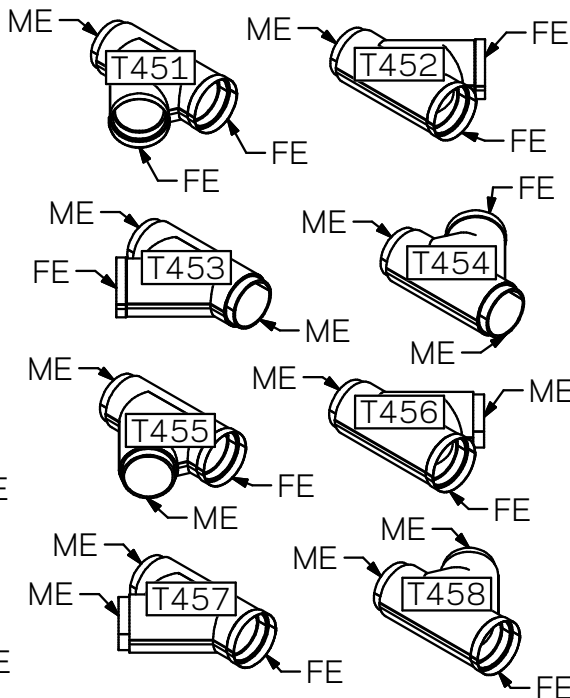
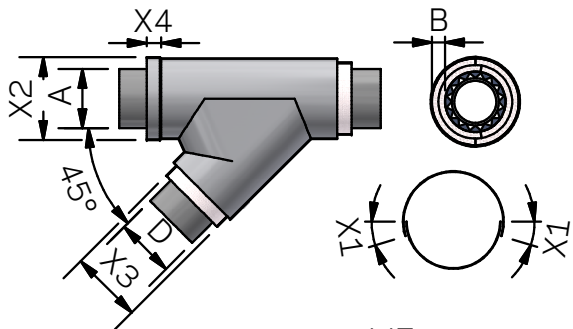
**BEEREN
BERG**

BENARX ALL IN ONE

This drawing is our property. It is not to be traced, copied or published without our written consent, nor to be misused in any way.

NTS	19 of 24	01
SCALE	SHEET	SHEET REVISION

T-piece 45° with rubber distance band



X2, X3 - CLADDING OUTER DIAMETER

REV	DATE	REVISION

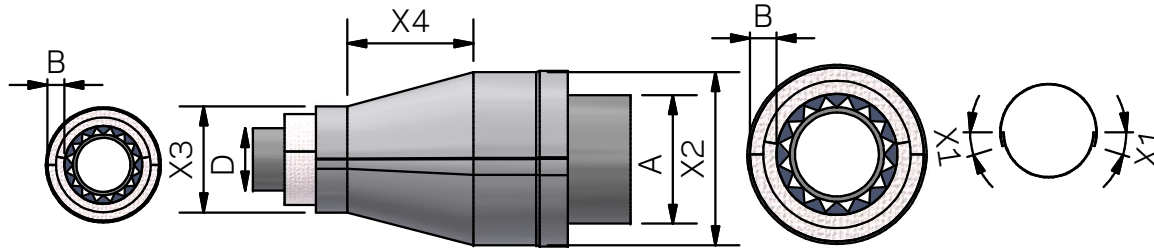
**BEEREN
BERG**

BENARX ALL IN ONE

This drawing is our property. It is not to be traced, copied or published without our written consent, nor to be misused in any way.

NTS	20 of 24	01
SCALE	SHEET	SHEET REVISION

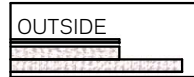
Reducer centric with rubber distance band



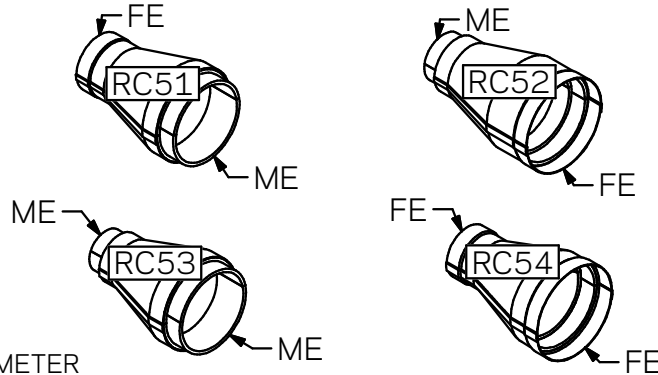
FEMALE END (FE)



MALE END (ME)



X2, X3- CLADDING OUTER DIAMETER



REV	DATE	REVISION

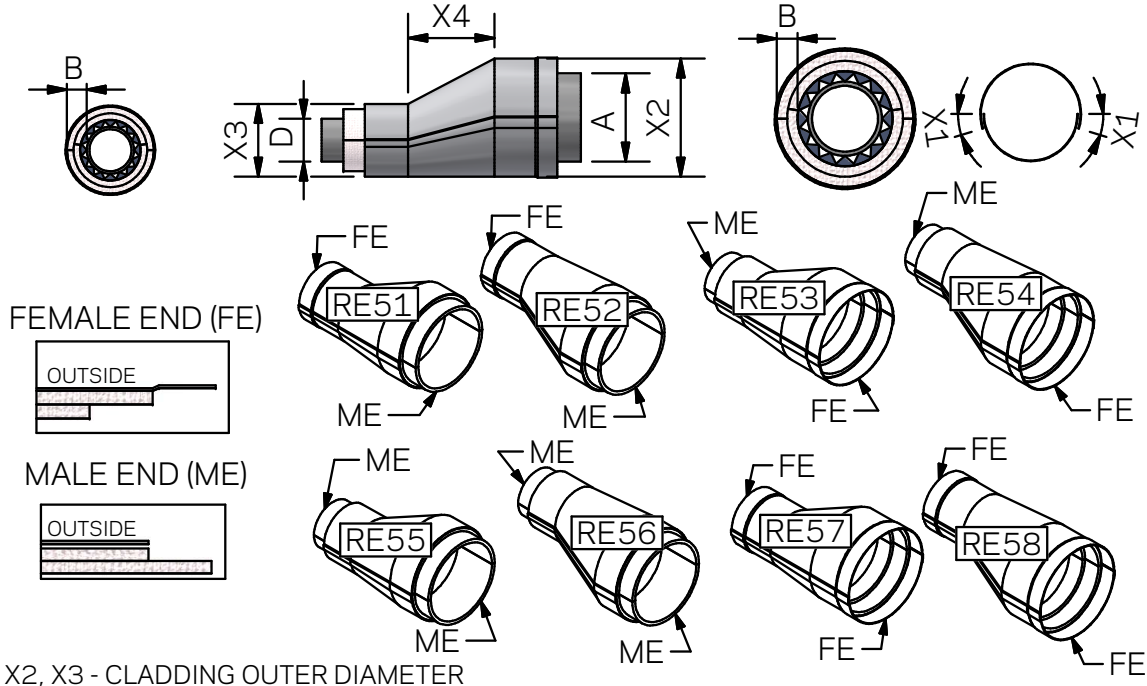
**BEEREN
BERG**

BENARX ALL IN ONE

This drawing is our property.
It is not to be traced, copied
or published without our
written consent, nor to be
misused in any way.

NTS	21 of 24	01
SCALE	SHEET	SHEET REVISION

Reducer eccentric with rubber distance band



REV	DATE	REVISION

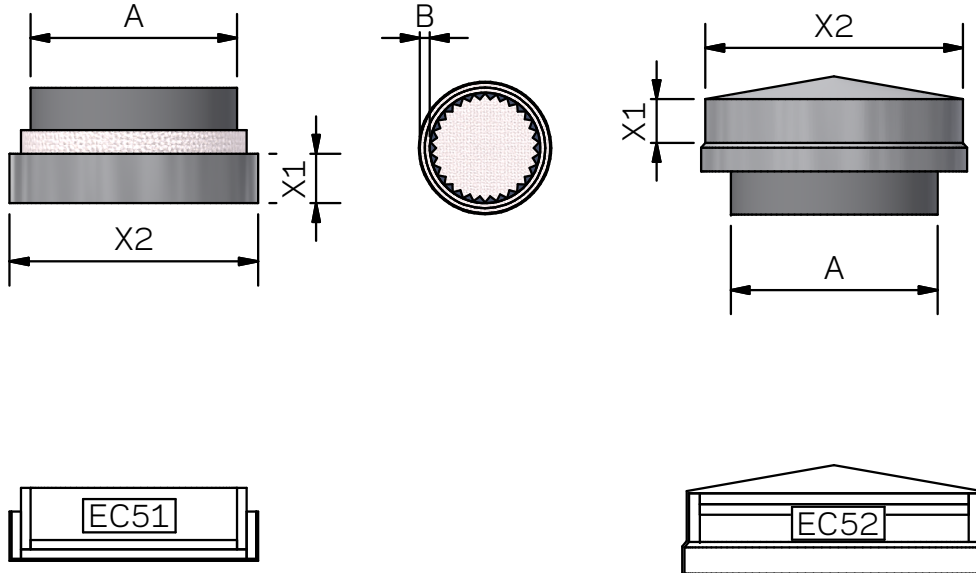
**BEEREN
BERG**

BENARX ALL IN ONE

This drawing is our property. It is not to be traced, copied or published without our written consent, nor to be misused in any way.

NTS	22 of 24	01
SCALE	SHEET	SHEET REVISION

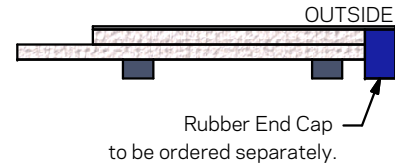
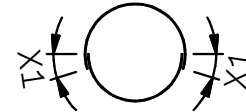
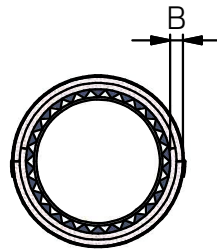
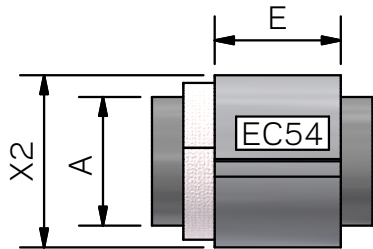
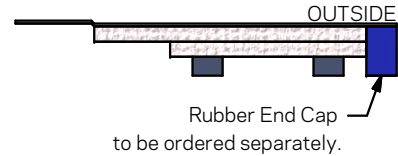
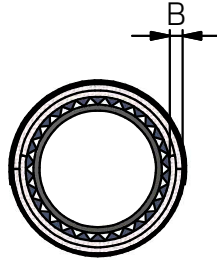
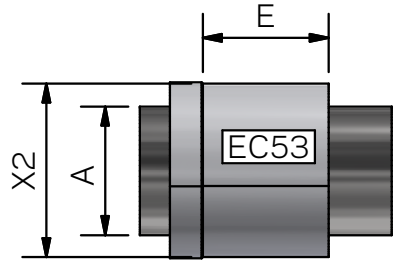
Ends with rubber distance band



$X2$ - CLADDING OUTER DIAMETER

			BEEREN BERG	BENARX ALL IN ONE			
				This drawing is our property. It is not to be traced, copied or published without our written consent, nor to be misused in any way.	NTS	23 of 24	01
REV	DATE	REVISION			SCALE	SHEET	SHEET REVISION

Starters with rubber distance band



X2 - CLADDING OUTER DIAMETER

REV	DATE	REVISION

**BEEREN
BERG**

BENARX ALL IN ONE

This drawing is our property. It is not to be traced, copied or published without our written consent, nor to be misused in any way.

NTS	24 of 24	02
SCALE	SHEET	SHEET REVISION